


Stud Assemblies, 1/4-Turns & Clips, Latches

Designed for heavy duty service in farm, construction equipment, and other applications where high strength and clamping force are required. A quarter turn of the stud opens the fastener, and reverse turn locks it again. Used in securing panels or components that have to be quickly and easily removed for servicing or replacement.

1/4-Turn Latch



Front View **Side View**

Part Number: 1875811
Mfg. Reference: Ross Courtney
Mfg.'s Part No. Reference: 450221
Lbs. Per 100 Pcs.: 21.16
Quantity: 1

**1/4-Turn L Stud Assembly
 Slotted Hex Washer Head
 Steel, Zinc Black Finish
 3/8" x 0.845"**



Part Number: 1992412
Mfg. Reference: Camloc
Mfg.'s Part No. Ref.: 91S2-16-WB
Lbs. Per 100 Pcs.: 11.00
Quantity: 1

**1/4-Turn Latch
 M18mm x 1.0**



Part Number: 1875808
Mfg. Reference: Ross Courtney
Mfg.'s Part No. Reference: 450213
Lbs. Per 100 Pcs.: 23.19
Quantity: 1

**1/4-Turn Clip
 M18mm x 1.0 1/4 -Turn Latch**



Part Number: 1875807
Mfg. Reference: Ross Courtney
Mfg.'s Part No. Reference: 430005
Lbs. Per 100 Pcs.: 1.26
Quantity: 1

**1/4-Turn Stud
 16.8mm Slotted Pan Head
 Case Hardened, Zinc Clear**



Part Number: 2004086
Mfg. Reference: Southco
Mfg.'s Part No. Ref.: 85-11-400-16
Lbs. Per 100 Pcs.: 1.56
Quantity: 1

**1/4-Turn Latch
 7MM Square Insert**



Part Number: 1809371
Mfg. Reference: Emka
Mfg.'s Part No. Ref.: 1000-995/1000-998
Mfg. Reference: Hoffman
Mfg.'s Part No. Ref.: A-L32
Lbs. Per 100 Pcs.: 2.60
Quantity: 1

**Wing 1/4-Turn Stud
 1010 Steel, Case Hardened
 0.245 x 0.825"
 Cadmium Clear**

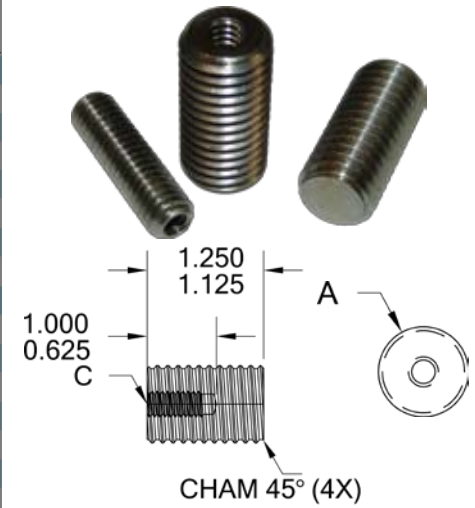
Part Number: 1814319
Mfg. Reference: Southco
Mfg.'s Part No. Ref.: 5W380
Lbs. Per 100 Pcs.: 2.60
Quantity: 1

All manufacturers, names, numbers, symbols, and descriptions are used for reference purposes only, and it is not implied that any part listed is the product of these manufacturers.

Male Inch Spacers & Standoffs

Steel Zinc Clear


Size	Part Number	Package Quantity	Dimension A	Dimension C
1/4 - 20 x 1 1/4	2017276	10	0.250 - 20	0.190 - 24
1/4 - 28 x 1 1/4	2017277	10	0.250 - 28	0.190 - 24
5/16 - 18 x 1 1/4	2017278	10	0.312 - 18	0.250 - 20
5/16 - 24 x 1 1/4	2017279	10	0.312 - 24	0.250 - 20
3/8 - 16 x 1 1/4	2017280	10	0.375 - 16	0.250 - 20
3/8 - 24 x 1 1/4	2017281	10	0.375 - 24	0.250 - 20
7/16 - 14 x 1 1/4	2017282	10	0.437 - 14	0.250 - 20
7/16 - 20 x 1 1/4	2017283	10	0.437 - 20	0.250 - 20
1/2 - 13 x 1 1/4	2017284	10	0.500 - 13	0.250 - 20
1/2 - 20 x 1 1/4	2017285	10	0.500 - 20	0.250 - 20
9/16 - 12 x 1 1/4	2017286	10	0.562 - 12	0.250 - 20
9/16 - 18 x 1 1/4	2017287	10	0.562 - 18	0.250 - 20
5/8 - 11 x 1 1/4	2017288	10	0.625 - 11	0.250 - 20
5/8 - 18 x 1 1/4	2017289	10	0.625 - 18	0.250 - 20
3/4 - 10 x 1 1/4	2017290	10	0.750 - 10	0.250 - 20
3/4 - 16 x 1 1/4	2017291	10	0.750 - 16	0.250 - 20



Female Inch Spacers & Standoffs

Steel Zinc Clear

Size	Part Number	Package Quantity	Dimension A	Dimension B	Dimension C
6 - 32 x 3/8 x 1 1/4	2017196	10	# 6 - 32	0.375	# 10 - 24
8 - 32 x 3/8 x 1 1/4	2017197	10	# 8 - 32	0.375	# 10 - 24
10 - 24 x 3/8 x 1 1/4	2017198	10	# 10 - 24	0.375	# 10 - 24
10 - 32 x 3/8 x 1 1/4	2017199	10	# 10 - 32	0.375	# 10 - 24
12 - 24 x 3/8 x 1 1/4	2017200	10	# 12 - 24	0.375	# 10 - 24
1/4 - 20 x 7/16 x 1 1/4	2017201	10	0.250 - 20	0.437	0.250 - 20
1/4 - 28 x 7/16 x 1 1/4	2017202	10	0.250 - 28	0.437	0.250 - 20
5/16 - 18 x 9/16 x 1 1/4	2017203	10	0.312 - 18	0.562	0.250 - 20
5/16 - 24 x 9/16 x 1 1/4	2017204	10	0.312 - 24	0.562	0.250 - 20
3/8 - 16 x 9/16 x 1 1/4	2017205	10	0.375 - 16	0.562	0.250 - 20
3/8 - 24 x 9/16 x 1 1/4	2017206	10	0.375 - 24	0.562	0.250 - 20
7/16 - 14 x 5/8 x 1 1/4	2017207	10	0.437 - 14	0.625	0.250 - 20
7/16 - 20 x 5/8 x 1 1/4	2017208	10	0.437 - 20	0.625	0.250 - 20
1/2 - 13 x 3/4 x 1 1/4	2017209	10	0.500 - 13	0.750	0.250 - 20
1/2 - 20 x 3/4 x 1 1/4	2017210	10	0.500 - 20	0.750	0.250 - 20
9/16 - 12 x 7/8 x 1 1/4	2017211	10	0.562 - 12	0.875	0.250 - 20
9/16 - 18 x 7/8 x 1 1/4	2017212	10	0.562 - 18	0.875	0.250 - 20
5/8 - 11 x 7/8 x 1 1/4	2017213	10	0.625 - 11	0.875	0.250 - 20
5/8 - 18 x 7/8 x 1 1/4	2017214	10	0.625 - 18	0.875	0.250 - 20
3/4 - 10 x 1 x 1 1/4	2017215	10	0.750 - 10	1.000	0.250 - 20
3/4 - 16 x 1 x 1 1/4	2017216	10	0.750 - 16	1.000	0.250 - 20

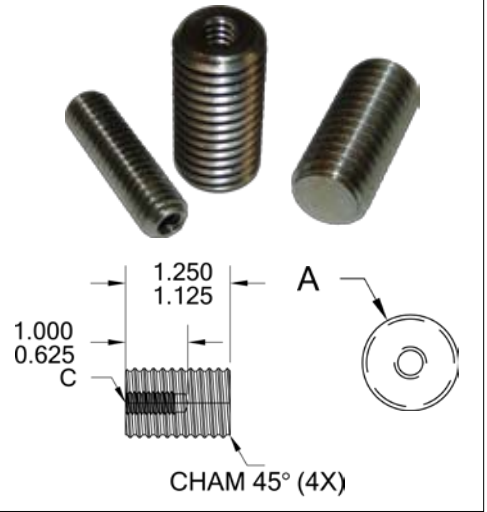


Miscellaneous

Male Metric Spacers & Standoffs

Steel Zinc Clear

Size	Part Number	Package Quantity	Dimension A	Dimension C
M6MM - 1 x 1 1/4	2017297	10	M6 - 1.00	0.190 - 24
M7MM - 1 x 1 1/4	2017298	10	M7 - 1.00	0.190 - 24
M8MM - 1 x 1 1/4	2017299	10	M8 - 1.00	0.250 - 20
M8MM - 1.25 x 1 1/4	2017300	10	M8 - 1.25	0.250 - 20
M10MM - 1 x 1 1/4	2017301	10	M10 - 1.00	0.250 - 20
M10MM - 1.25 x 1 1/4	2017302	10	M10 - 1.25	0.250 - 20
M10MM - 1.5 x 1 1/4	2017303	10	M10 - 1.50	0.250 - 20
M12MM - 1.25 x 1 1/4	2017304	10	M12 - 1.25	0.250 - 20
M12MM - 1.5 x 1 1/4	2017305	10	M12 - 1.50	0.250 - 20
M12MM - 1.75 x 1 1/4	2017306	10	M12 - 1.75	0.250 - 20
M14MM - 1.5 x 1 1/4	2017307	10	M14 - 1.50	0.250 - 20
M14MM - 2 x 1 1/4	2017308	10	M14 - 2.00	0.250 - 20
M16MM - 1.5 x 1 1/4	2017309	10	M16 - 1.50	0.250 - 20
M16MM - 2 x 1 1/4	2017310	10	M16 - 2.00	0.250 - 20
M20MM - 1.5 x 1 1/4	2017311	10	M20 - 1.50	0.250 - 20
M20MM - 2.5 x 1 1/4	2017312	10	M20 - 2.50	0.250 - 20



Female Metric Spacers & Standoffs

Steel Zinc Clear

Size	Part Number	Package Quantity	Dimension A	Dimension B	Dimension C
M4MM - .7 x 3/8 x 1 1/4	2017248	10	M4 - 0.7	0.375	# 10 - 24
M5MM - .8 x 3/8 x 1 1/4	2017249	10	M5 - 0.8	0.375	# 10 - 24
M6MM - 1 x 7/16 x 1 1/4	2017250	10	M6 - 1.00	0.437	0.250 - 20
M7MM - 1 x 7/16 x 1 1/4	2017251	10	M7 - 1.00	0.437	0.250 - 20
M8MM - 1 x 9/16 x 1 1/4	2017252	10	M8 - 1.00	0.562	0.250 - 20
M8MM - 1.25 x 9/16 x 1 1/4	2017253	10	M8 - 1.25	0.562	0.250 - 20
M10MM - 1 x 5/8 x 1 1/4	2017254	10	M10 - 1.00	0.625	0.250 - 20
M10MM - 1.25 x 5/8 x 1 1/4	2017255	10	M10 - 1.25	0.625	0.250 - 20
M10MM - 1.5 x 5/8 x 1 1/4	2017256	10	M10 - 1.50	0.625	0.250 - 20
M12MM - 1.25 x 3/4 x 1 1/4	2017257	10	M12 - 1.25	0.750	0.250 - 20
M12MM - 1.5 x 3/4 x 1 1/4	2017258	10	M12 - 1.50	0.750	0.250 - 20
M12MM - 1.75 x 3/4 x 1 1/4	2017259	10	M12 - 1.75	0.750	0.250 - 20
M14MM - 1.5 x 7/8 x 1 1/4	2017260	10	M14 - 1.50	0.875	0.250 - 20
M14MM - 2 x 7/8 x 1 1/4	2017261	10	M14 - 2.00	0.875	0.250 - 20
M16MM - 1.5 x 1 x 1 1/4	2017262	10	M16 - 1.50	1.000	0.250 - 20
M16MM - 2 x 1 x 1 1/4	2017263	10	M16 - 2.00	1.000	0.250 - 20
M20MM - 1.5 x 1 x 1 1/4	2017264	10	M20 - 1.50	1.000	0.250 - 20
M20MM - 2.5 x 1 x 1 1/4	2017265	10	M20 - 2.50	1.000	0.250 - 20

